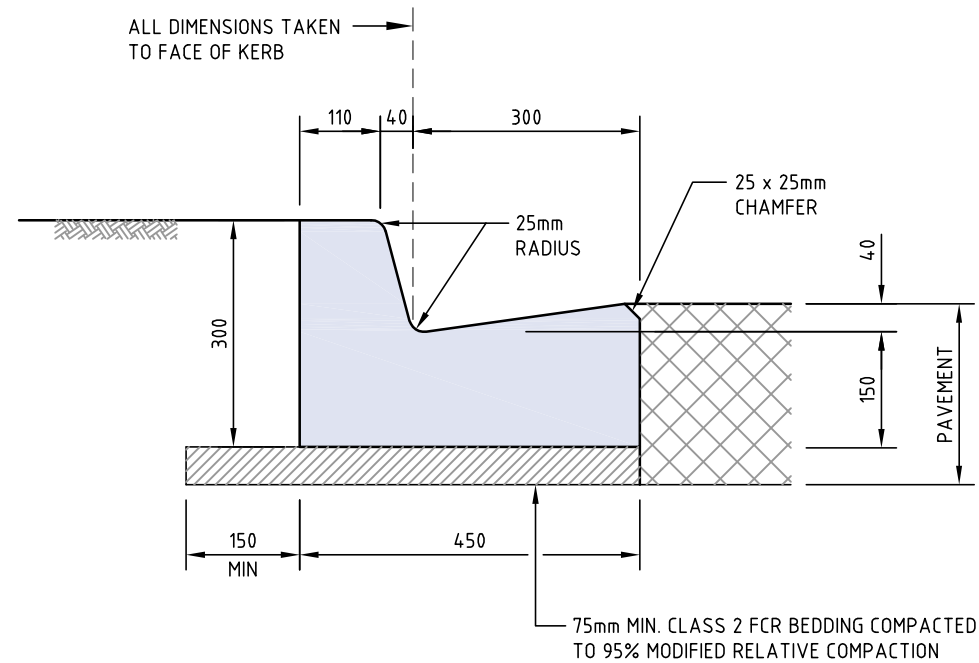
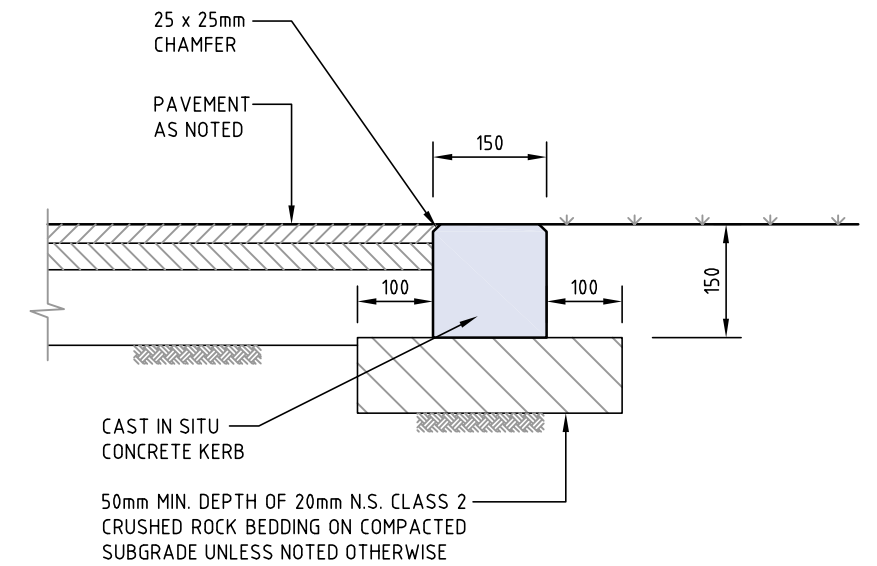


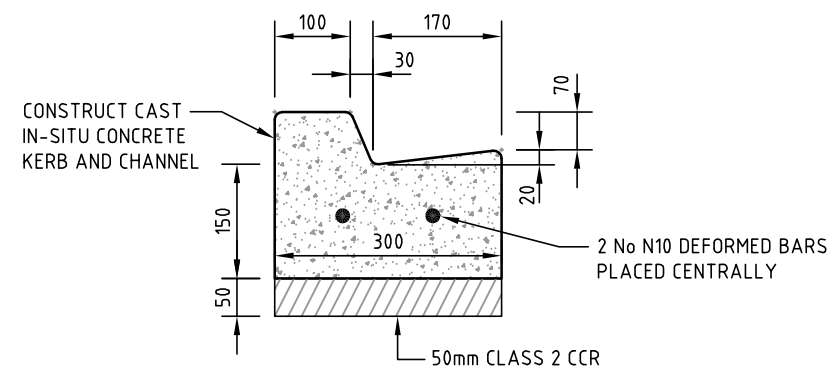
**CAST IN-SITU CONCRETE  
KERB SETTING DETAIL**



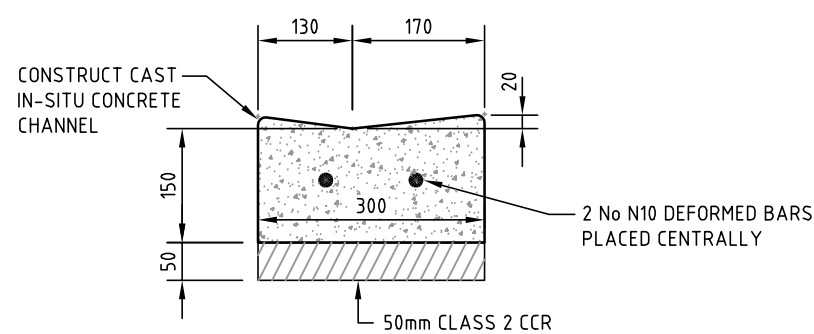
**CAST IN-SITU CONCRETE KERB  
AND CHANNEL (B2)**



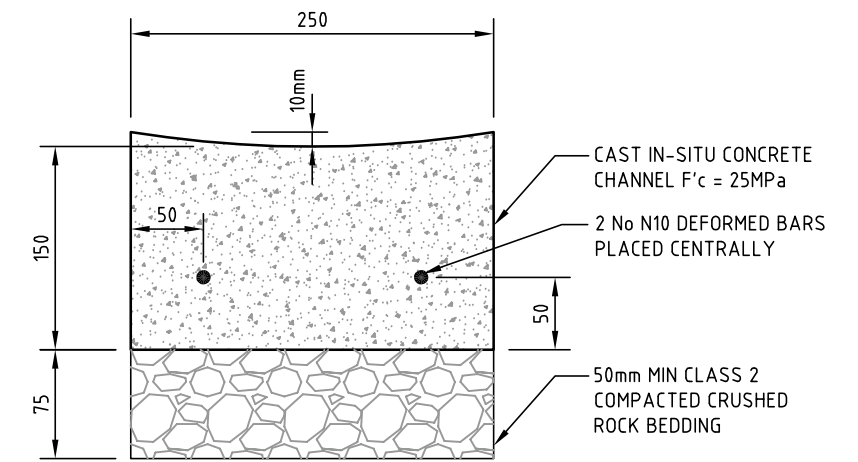
**CAST IN SITU CONCRETE EDGE STRIP**



**CONCRETE BARRIER KERB AND CHANNEL  
(MODIFIED B2)**



**CAST IN SITU CONCRETE SPOON DRAIN**



**CAST IN-SITU CONCRETE SPOON CHANNEL  
DETAIL**

NOT TO SCALE



CITY OF MELBOURNE

Rev.	Revision Details	By	Date

**CAST IN-SITU KERB AND CHANNEL  
SETTING DETAILS**

**ENGINEERING SERVICES BRANCH**

Approved By		Drawing Number	
Principal Engineer Infrastructure		1P 50515	
Date		Revision	
Nov, 2010	Nov, 2010	A	
Date		Docs	
Nov, 2010	Nov, 2010		