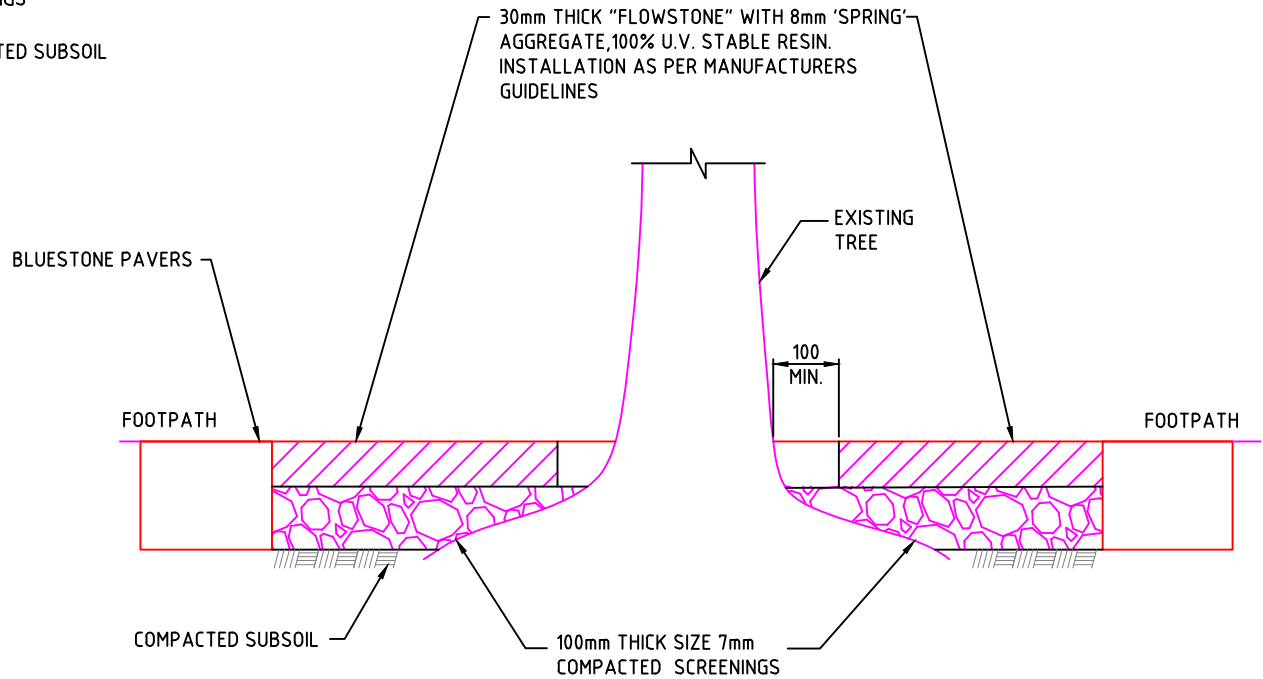


**POROUS PAVEMENT DETAIL
(FOR EXISTING TREES)**



TREE PLOT DETAIL

NOT TO SCALE



Rev.	Revision Details	By	Date

POROUS PAVEMENT FOR EXISTING TREE PLOTS

ENGINEERING SERVICES BRANCH

Approved By		Drawing Number	
Principal Engineer Infrastructure	Manager Engineering Services	1P 50411	
Date	Date	Revision	
Oct, 2014	Oct, 2014	A	
		Docs	